

# Checking voltage-frequency ratio on variable speed drives

with the new Fluke 2-channel ScopeMeter® 190 Series II portable oscilloscope

## Application Note

With their unique triggering and measuring functions, Fluke ScopeMeter 190 Series II portable oscilloscopes are ideal for analyzing the voltage-frequency ratio of pulse-width-modulated variable speed drives.

### Variable Speed Drives

Variable Speed Drives (VSDs) provide a convenient and affordable method for varying the speed of robust ac motors. When connected to the mains, the rotation speed of an ac motor is directly related to the mains frequency and the number of poles of the motor. Traditionally an external gearbox was the only way to work with different speeds. This all changed with the introduction of high-power semiconductors, which made it possible to build variable speed drives by electronically creating a supply voltage that operates at different frequencies. This has, however, created the need for new measurement capabilities, which are provided by the Fluke 190 Series II portable oscilloscope.

### Pulse Width Modulation

AC drives using Pulse Width Modulation (PWM) have found their way into many applications such as fans, pumps and conveyor belts driven by squirrel-cage asynchronous ac motors. These motors are robust and require little maintenance since they have no brushes that would need regular replacement.

The basic structure of a variable speed drive (Figure 1) includes an input rectifier converting the mains voltage into a dc voltage that feeds the so-called dc-bus. This dc voltage is then converted into a 'variable frequency voltage' using electronic switches. Since the speed of the motor can be adjusted with a simple potentiometer or control signal from an external source, these drives have become a popular replacement for gearboxes.

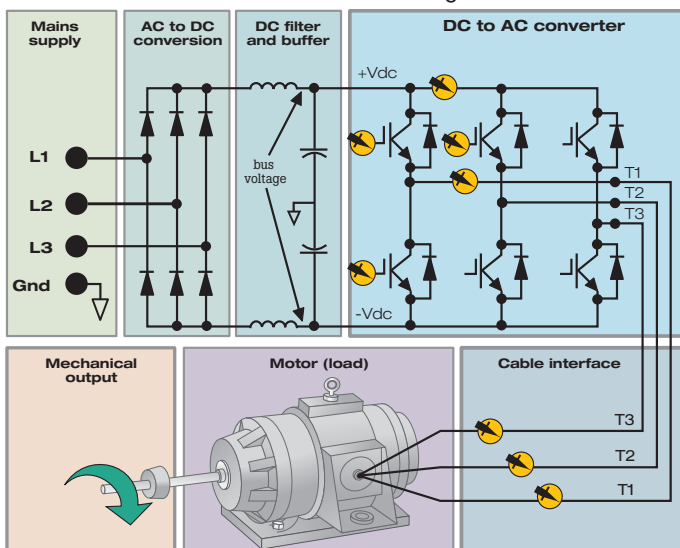


Figure 1. Basic electric schematics of variable-speed drive.

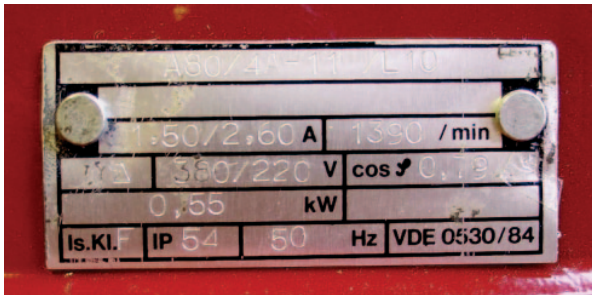


Figure 2. Motor type plate.

## The Motor

AC motors are designed for use with a rotating magnetic field of constant strength. The magnetic field is generated from the applied voltage, and its strength is proportional to the V/Hz ratio. Normally the motor is designed to work with the local mains voltage (230 V/400 V or 120 V/208 V) and mains frequency (50 Hz or 60 Hz). The nominal values are shown on the motor type plate (Figure 2). When the motor is connected to a VSD, the drive unit changes the frequency of the output voltage, thereby changing the speed of the rotating magnetic field and thus the speed of the motor.

Lowering the frequency only, however, will generate a higher magnetic field since the V/Hz ratio increases. This will result in magnetic saturation, which causes unstable running and generates higher temperatures in the motor. Likewise, increasing the frequency increases V/Hz ratio, reducing the magnetic field and resulting in lower torque.

To overcome these problems, the VSD also varies the voltage when the frequency is varied to maintain a constant V/Hz ratio. Preferably this is done over the complete working range of the VSD. The control type used in this case is called V/Hz control which in its simplest form takes a speed reference command from an external source and varies the voltage and frequency applied to the motor.

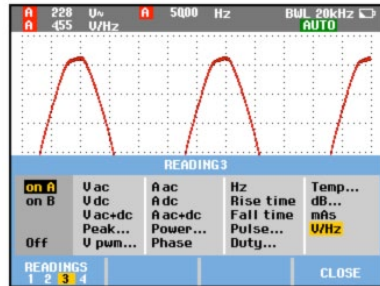


Figure 3. Selecting the V/Hz ratio for measurements carried out on input A.

## Measurement requirements

To be able to verify if the V/Hz ratio is constant over the working range of the VSD, the output voltage and frequency of the drive must be measured simultaneously. The challenge here, however, is that the output waveform of a PWM drive is far from a sine wave, since it consists of pulses with varying width to create a motor drive current that resembles a sine wave. This is accomplished by varying the duty cycle of these pulses such that the current (but not the voltage) through the motor winding resembles a sine waveform.

In effect, the motor windings function as a low-pass filter through which the pulse-width-modulated voltage causes a current resembling a sine wave to flow. A true rms voltmeter used in this situation would give erroneous readings since these meters give the rms voltage of the full bandwidth signal. This application requires a meter that is capable of measuring the effective voltage of the fundamental component only, since this is what the motor actually 'sees'. Another complication is that the complex modulated waveforms often make it difficult to obtain a stable picture and readings of the signal.

The new Fluke 2-channel ScopeMeter 190 Series II is ideally suited for this application as it can immediately display the V/Hz ratio after this option is chosen. No further adjustments are required and the technician can concentrate on the job as there is no need to spend time adjusting the ScopeMeter for optimal settings. Figure 3 shows the set-up display for choosing the V/Hz ratio.

The ScopeMeter also provides Connect-and-View triggering which automatically displays the stable picture.

## Making measurements

The Fluke 190 Series II ScopeMeter test tool is certified up to a 600 V CAT IV/1000 V CAT III safety rating, making the series an extremely safe instrument for professional and industrial applications.

Connect the ScopeMeter directly to the motor terminals using the 10:1 VPS410 probe supplied as standard with the instrument. From the SCOPE READINGS menu select the reading V/Hz (Figure 3). This new option assures a direct read-out of the ratio allowing the operator to continue to focus on the ratio rather than on the correct settings. The automatic triggering of the ScopeMeter assures a stable waveform and readings display, allowing measurements to be taken over the whole operating range of the drive unit.

Figure 4 shows the value of the V/Hz ratio calculated from the input values measured on input A whereby the actual values are displayed in the banner.

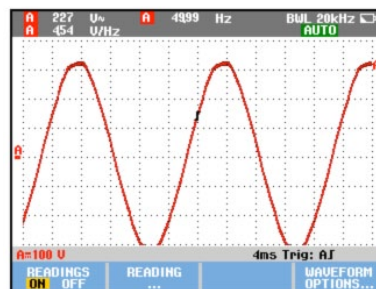
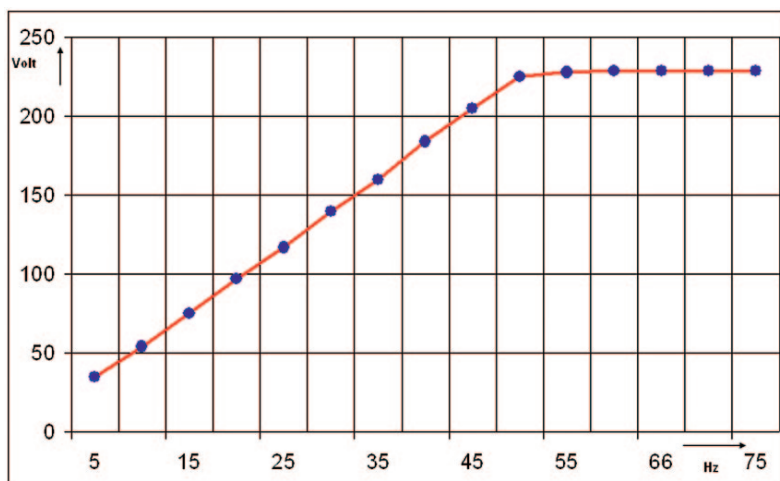


Figure 4. Measuring  $V_{\text{rms}}$  and Hz, and displaying the V/Hz ratio.



**Figure 5.** V - Hz graph.

The measurements show that the V/Hz ratio is relatively constant over the working range for frequencies up to 50 Hz, where the voltage reaches the level of the input voltage of the drive (Figure 5). The readings match the nominal values for the motor, i.e. 220 V/50 Hz = 4.4. When the frequency is increased above 50 Hz, the drive unit can no longer increase the output voltage since it is limited by the drive input of 230 V. This gives a lower V/Hz ratio resulting in a lower magnetic field and hence lower torque when running at high speed.

When reducing the speed, the drive unit increases the V/Hz ratio slightly to improve the torque at lower speed. This technique is commonly referred to as Voltage Boost. Normally a motor gives less torque when running at lower speed, an effect known as 'Ohms loss'. This is caused by the resistance of the

motor windings having greater influence on the total impedance of the windings at lower speed since the inductance of the windings decreases with frequency while the resistance remains constant. The part of the voltage that contributes to the inductance is consequently lower causing a relatively lower magnetic field at lower speeds.

**Conclusion**

The new 2-channel Fluke 190 Series II ScopeMeter is particularly well suited for this application as with one press of the button it is possible to get the required reading. Adjusting specific settings is no longer the case.

With this new feature it makes analyzing the V/Hz ratio easier than ever and makes it possible to analyze the behavior of the system and find possible causes for unstable motor behavior in the VSD configuration.

**Fluke.** *Keeping your world up and running.*®

**Fluke Corporation**  
PO Box 9090, Everett, WA 98206 U.S.A.

**Fluke Europe B.V.**  
PO Box 1186, 5602 BD  
Eindhoven, The Netherlands

**For more information call:**  
In the U.S.A. (800) 443-5853 or  
Fax (425) 446-5116  
In Europe/M-East/Africa +31 (0) 40 2675 200 or  
Fax +31 (0) 40 2675 222  
In Canada (800)-36-FLUKE or  
Fax (905) 890-6866  
From other countries +1 (425) 446-5500 or  
Fax +1 (425) 446-5116  
Web access: <http://www.fluke.com>

©2005-2011 Fluke Corporation.  
Specifications subject to change without notice.  
Printed in U.S.A. 6/2011 2543364B A-EN-N  
Pub-ID 10668-eng, rev 01

**Modification of this document is not permitted without written permission from Fluke Corporation.**