

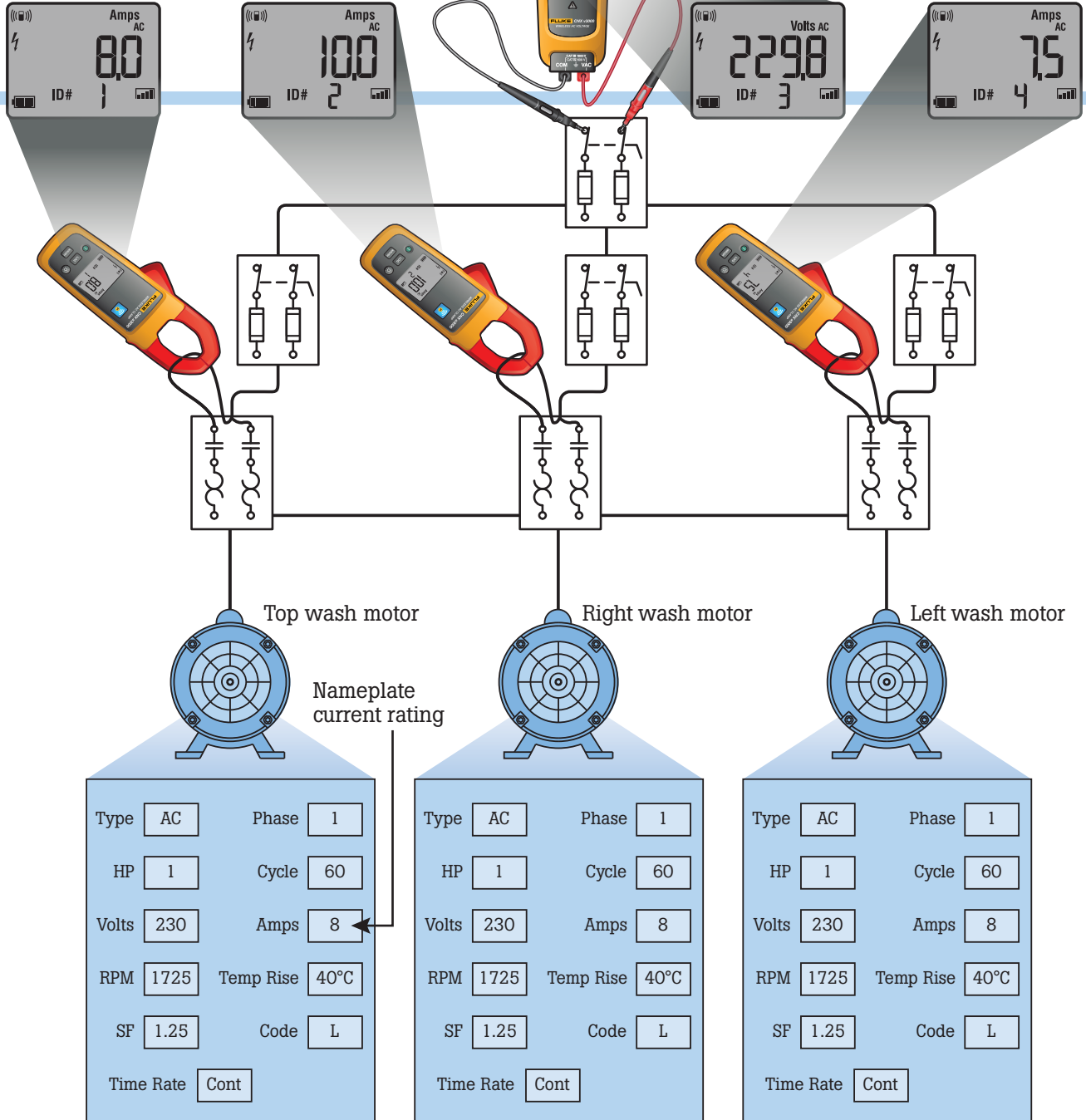
Load study

Motor fully loaded
Motor nameplate 8 A,
meter reads 8 A

Motor overloaded
Motor nameplate 8 A,
meter reads 10 A

System volts

Motor underloaded
Motor nameplate 8 A,
meter reads 7.5 A



Car wash system