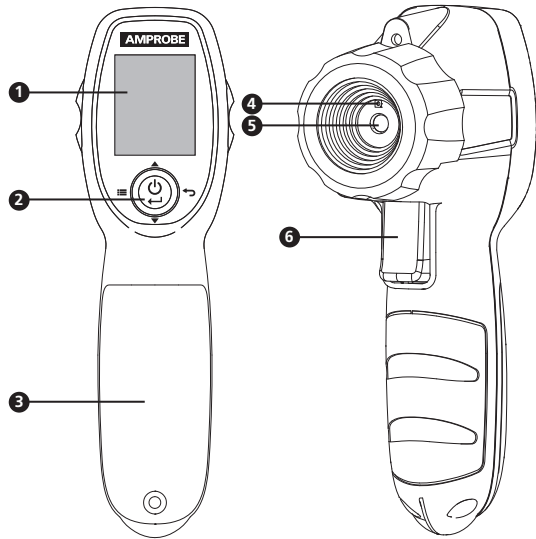


IRC-110 Infrared Camera Quick Reference Guide

(For more details please see user manual)



- 1 LC Display
- 2 Power ON/OFF and Menu
- 3 Battery cover
- 4 Visual camera
- 5 Infrared lens
- 6 Trigger for image HOLD

POWER ON AND OFF

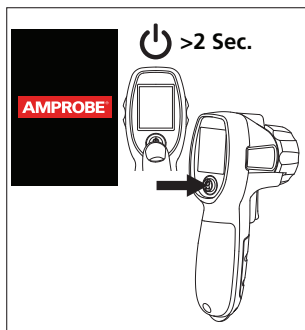


IMAGE HOLD

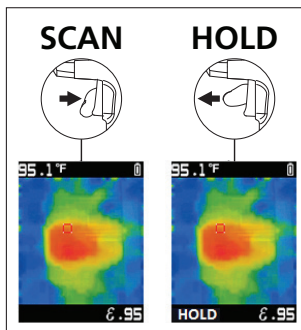
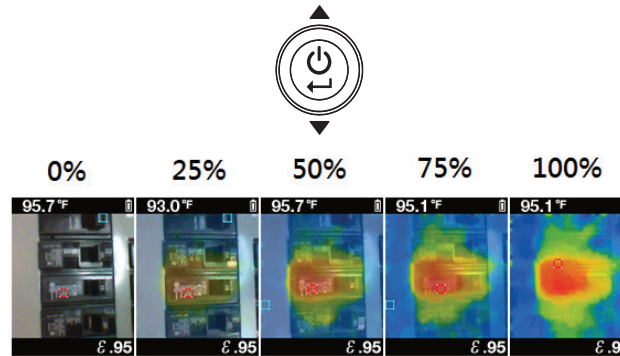
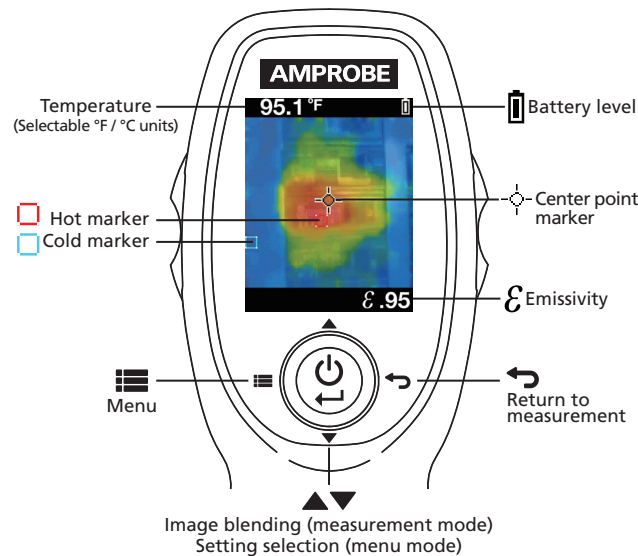


IMAGE BLENDING



BASIC NAVIGATION AND MEASUREMENT DISPLAY



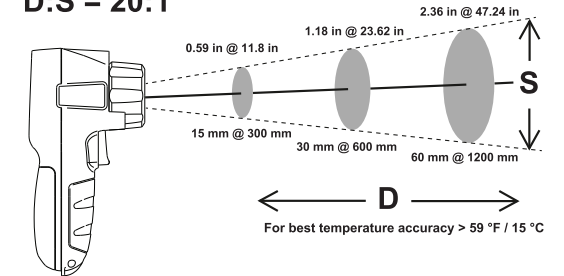
Icon	Description
	Hot and cold markers
	Color palette
	Emissivity adjustable from 0.10 to 1.00
	Center point marker
	Selectable temperature units °F and °C
	Auto power off (1m, 2m, 5m and 10m)
	Firmware version and calibration factory reset mode

COLOR PALETTE

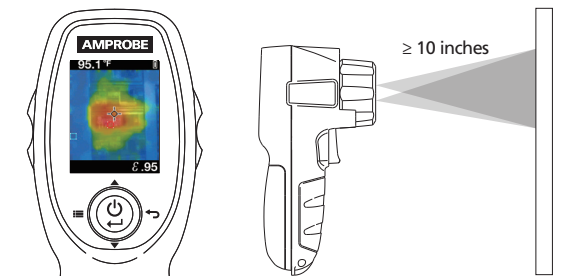


DISTANCE TO SPOT

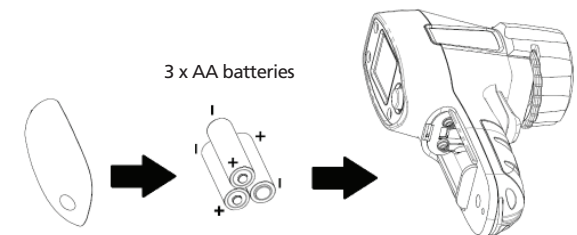
D:S = 20:1



VISUAL IMAGE ALIGNMENT / HEAT MAP



BATTERY REPLACEMENT



SPECIFICATIONS

Temperature range	14 °F to 932 °F (-10 °C to 500 °C)
IR accuracy (calibration geometry with ambient temperature 23°C ± 2°C)	≥ 32 °F (≥ 0 °C): ± 4 °F (± 2 °C) or ± 2 % of the reading, whichever is greater < 32 °F (< 0 °C): ± 6 °F (± 3 °C)
Distance to spot	20:1
Minimum spot size	8 mm
Field of view	33 ° x 33 °