

Infrared and IR-Fusion® Modes by Model

	Ti90	Ti95	Ti100	Ti105	Ti110	Ti125	TiR105	TiR110	TiR125
Full AutoBlend™ (min IR mode)					•	•		•	•
Full AutoBlend™ (mid IR mode)				•	•	•	•	•	•
Max IR (Full Thermal)	•	•	•	•	•	•	•	•	•
Full Visible	•	•		•	•	•	•	•	•
Picture-in-Picture AutoBlend™ (min)					•	•		•	•
Picture-in-Picture AutoBlend™ (mid)				•	•	•	•	•	•
Picture-in-Picture AutoBlend™ (max)		•		•	•	•	•	•	•

Note: Ti105 and TiR105 models have aligned IR-Fusion from 1.2 m to 4.6 m (4 ft to 15 ft).

Ti90, Ti95 Ti100, Ti105, Ti110, Ti125 TiR105, TiR110, TiR125 Thermal Imagers

Quick Reference Guide

Warning

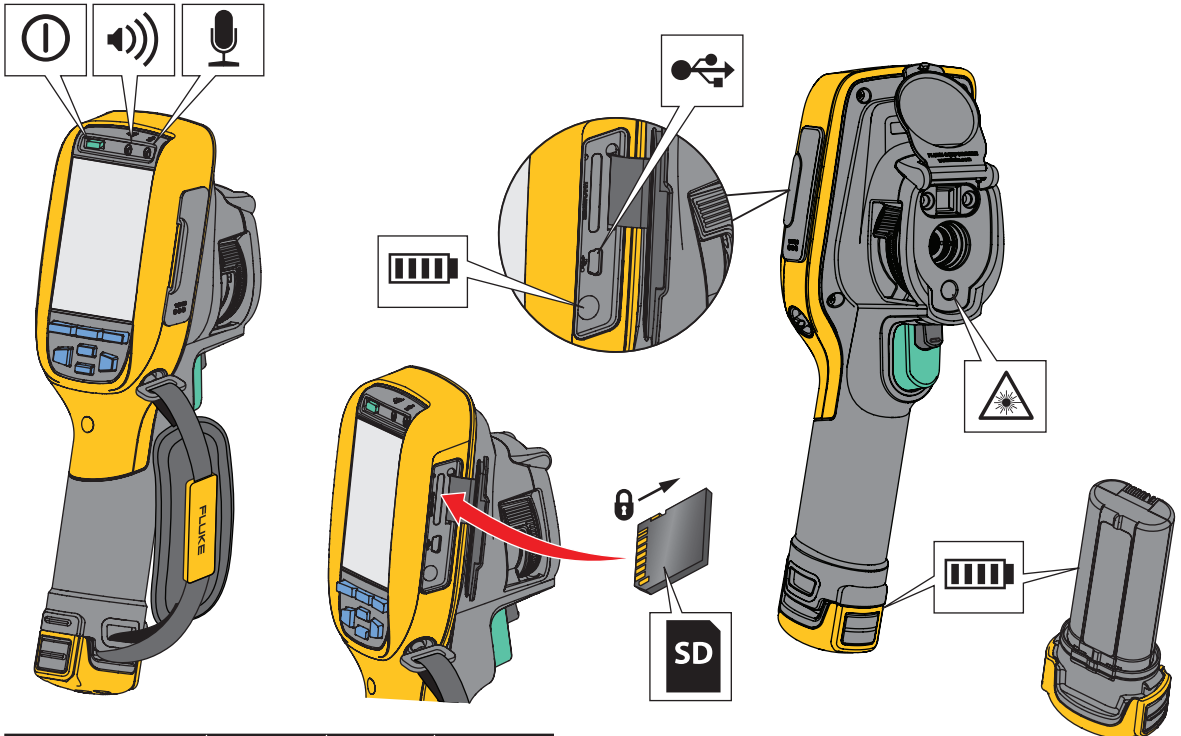
To prevent possible electrical shock, fire, or personal injury, read all “Safety Information” before you use this Product.

Go to www.fluke.com to register your product and find more information.

To view, print, or download the latest manual or supplement, visit us.fluke.com/usen/support/manuals.

To download SmartView® software visit www.fluke.com/smartviewdownload.

To download the Fluke Connect™ app, go to iTunes or Google app store and download Fluke Connect.



	Ti90 Ti95 Ti100	Ti105 TiR105	Ti110 Ti125 TiR110 TiR125
	•	•	•
	•	•	•
	•	•	•
	•	•	•
		•	•
			•
			•

